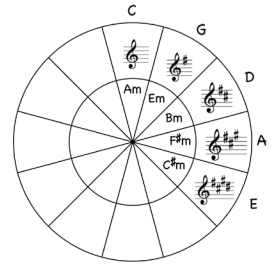


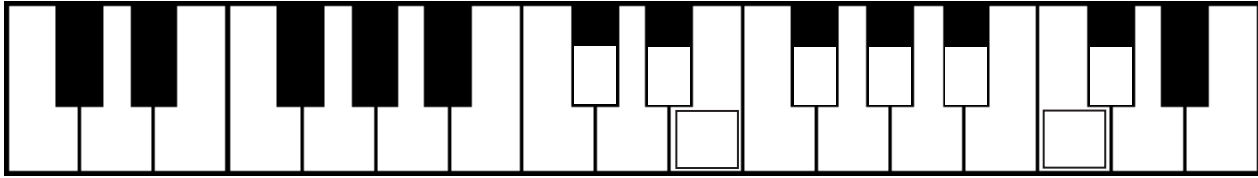


# C# Minor (Melodic) Scales Practice Sheet 1

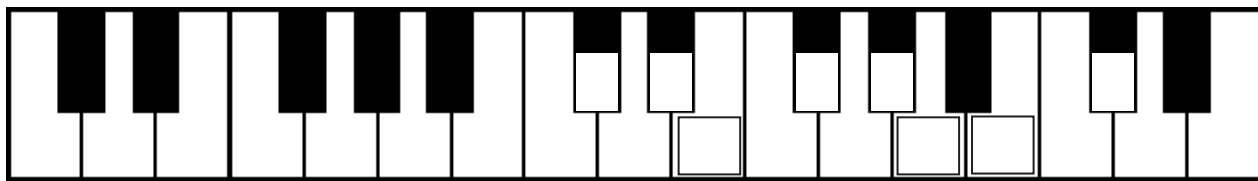


1) Write the notes of the the scale on the piano keys.

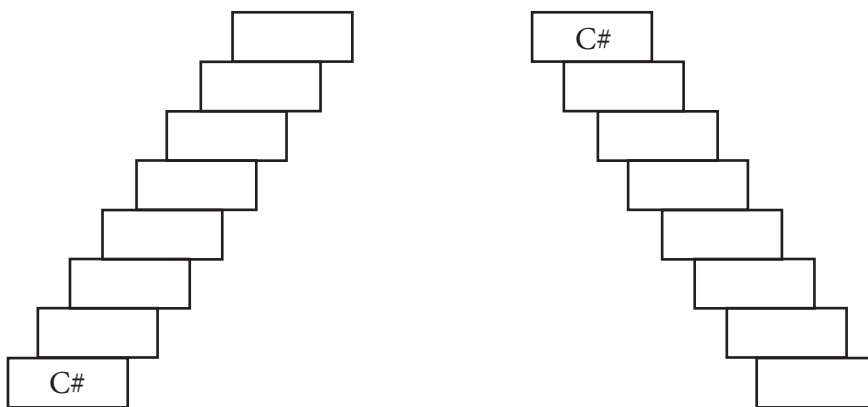
Ascending



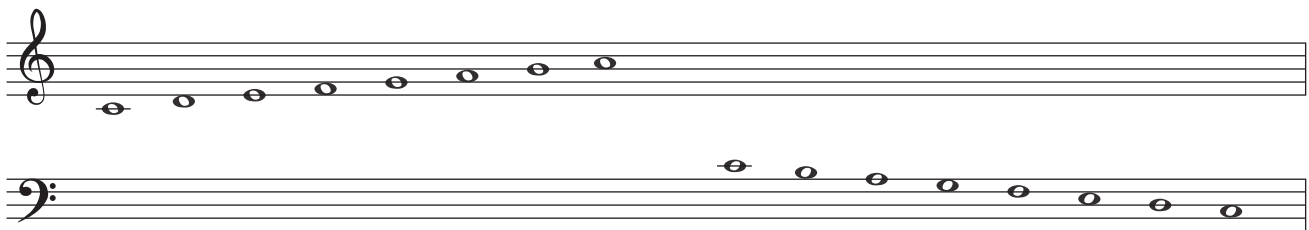
Descending



2) Fill in the notes of the scale in ascending and descending order.



3) Complete the scale and add in the accidentals.



4) Complete the scale and write in the key signature.

