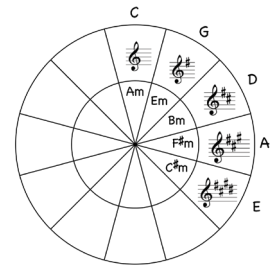
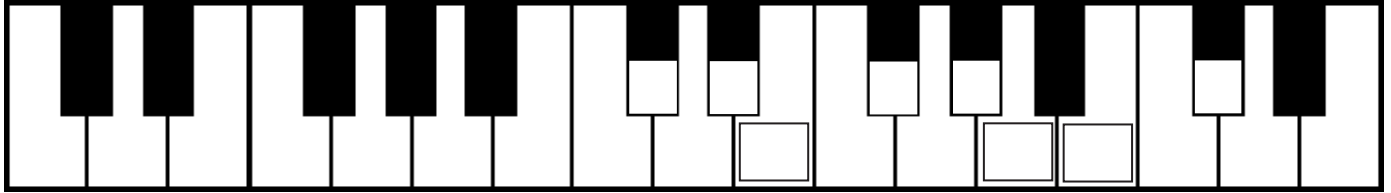




C# Minor (Natural) Scales Practice Sheet 1



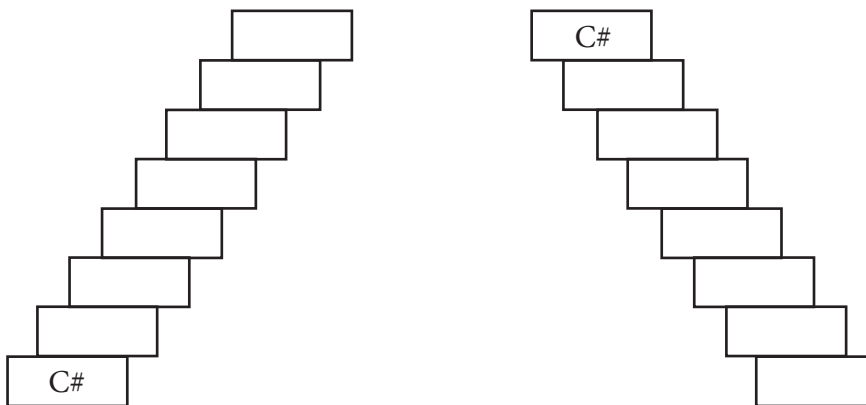
1) Write the notes of the the scale on the piano keys.



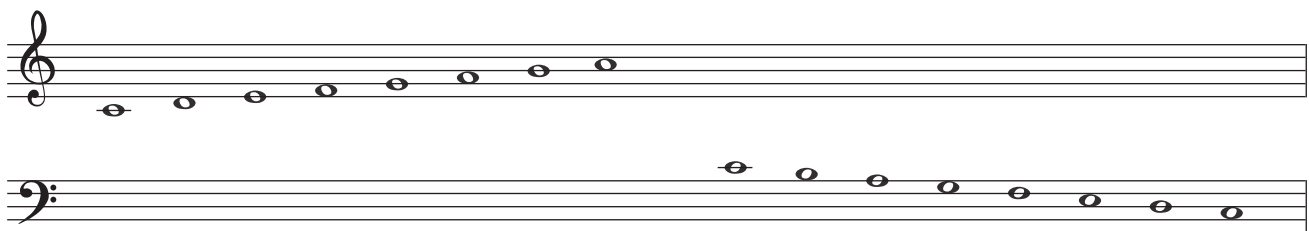
2) Circle the pairs of semitones in the scale. (Use the piano above the help you.)

C# D# E F# G# A B C#

3) Fill in the notes of the scale in ascending and descending order.



4) Complete the scale and add in the accidentals.



5) Complete the scale and write in the key signature.

